

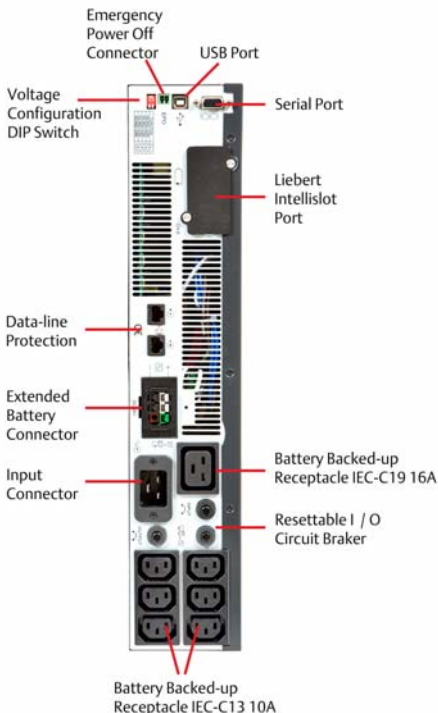
Liebert® PSI-XR

High Performance Power Protection for Server and Networking Equipment with Extended Run Capability
1kVA ■ 1.5kVA ■ 2.2kVA ■ 3kVA

For servers and networks requiring extended runtime, Liebert PSI-XR provides longer backup time with additional features on top of Liebert PSI. Liebert PSI-XR has matching external battery cabinets that enables longer backup time to several hours in the extended requirements. It provides greater than five minutes of internal battery backup time at 100% load measured at pf 0.9.



Liebert PSI-XR Rear View Parts



Technical Specifications

Model Number	PS1000RT3-230XR	PS1500RT3-230XR	PS2200RT3-230XR	PS3000RT3-230XR
Input Connection	IEC-320 C14		IEC-320 C20	
Output Connection	(6) IEC-320 C13		(6) IEC-320 C13; (1) C19	
Communication Interface	REPO, USB, Serial, Intellislot			
Unit / Shipping Dimensions: H x W x D (mm)	88(2U) x 440 x 490.5 / 228 x 560 x 612		88 (2U) x 440 x 700.5 / 228 x 560 x 821	
Size in Rack (RU)	2U			
Net / Shipping Weight (kg)	25 / 29	28 / 32	42 / 47	46 / 51
Form Factor	Rack / tower convertible, tower stand and rail kit included			
Input Power Cable	-		"Shucko" CEE 7 / 7 and BS1363 to IEC-320-C19	
Number of Output Cable	2		3	
Software	Liebert Multilink 4, support for Windows NT / 2000 / XP / Vista			
Operation				
Capacity (VA / W)	1000 / 900	1500 / 1350	2200 / 1980	3000 / 2700
Nominal Input Voltage	220 / 230 / 240VAC (configurable)			
Input Voltage Window	165 to 300VAC			
Input Frequency Window	45 to 65Hz			
Input Protection Type	Resettable circuit breaker			
Default Frequency	50Hz			
Boost Mode Voltage	Input Voltage x 117%			
Buck Mode Voltage	Input Voltage / 115%			
Transfer Time (AC to DC)	4 to 6ms typical			
Efficiency	> 96% on line mode			
Surge Protection	220J			
Battery Specifications				
Model	PSRT3-24VBXR		PSRT3-48VBXR	
Unit / Shipping Dimensions: H x W x D (mm)	88(2U) x 440 x 490.5 / 88(2U) x 560 x 675			
Net / Shipping Weight (kg)	29 / 33			
Voltage	220 / 230 / 240VAC (configurable)			
Voltage Regulation	>± 5%			
Wave Form	Pure Sinewave			
Battery Type	Sealed, non-spillage, maintenance-free, lead acid with 5 year typical lifetime			
Back-up Time at Full Load pf 0.9 (minutes)	> 6	> 5	> 5	> 5
Typical Recharge Time	5hr to 90%			
Hot Swappable Battery	Yes			
EMI Classification	IEC / EN / AS62040-2			
Extended Battery Cabinets	PSRT3-24VBXR		PSRT3-48VBXR	
Agency Approvals				
Safety	IEC / EN / AS62040-1-1			
Transportation	ISTA Procedure 1A Certification			
WEEE and ROHS	Yes			
Operation Condition	3000m max elevation, 0 to 90% humidity non-condensing 0 to 40 °C			
Noise Level	> 40dBA on line mode			
Accessories				
Rack Mount Kit	RAILKITPS3G-AEC			
SNMP / WEB Management Card	IS-WEBRT3			
Maintenance Bypass Switch	MP2-210K		MP2-220L	
Extended Battery Cabinets	PSRT3-24VBXR		PSRT3-48VBXR	

Runtime (in minutes)

Number of batteries	Load (%)	PS1000RT3-230XR	PS1500RT3-230XR	PS2200RT3-230XR	PS3000RT3-230XR
Internal Battery	50 / 100	15 / 6	13 / 5	14 / 5	13 / 5
Internal Battery +1 External Battery	50 / 100	73 / 31	55 / 18	45 / 15	31 / 12
Internal Battery +2 External Batteries	50 / 100	129 / 65	95 / 46	67 / 29	56 / 18
Internal Battery +3 External Batteries	50 / 100	181 / 96	131 / 64	95 / 48	73 / 31
Internal Battery +4 External Batteries	50 / 100	233 / 124	167 / 82	143 / 72	95 / 47
Internal Battery +5 External Batteries	50 / 100	185 / 151	203 / 109	167 / 84	113 / 56
Internal Battery +6 External Batteries	50 / 100	336 / 179	239 / 124	191 / 102	131 / 65

Technical Specifications

Model Number	PS750RT3-230	PS1000RT3-230	PS1500RT3-230	PS2200RT3-230	PS3000RT3-230
Input Connection	IEC-320 C14			IEC-320 C20	
Output Connection	(8) IEC-320 C13			(8) IEC-320 C13; (1) IEC-320 C19	
Communication Interface	REPO, USB, Contact Closure, Intellislot				
Unit / Shipping Dimensions: H x W x D (mm)	88 (2 U) x 440 x 412 / 228 x 560 x 595			88 (2 U) x 440 x 657 / 228 x 560 x 776	
Size in Rack (RU)	2U				
Net / Shipping Weight (kg)	15.0 / 18.2	19.4 / 22.6	20.9 / 24.1	33.8 / 38.3	37.2 / 41.5
Form Factor	Tower Stand and Rack Mount Kit Included				
Input Power Cable	-			"Shuko" CEE 7 / 7 and BS1363 to IEC-320-C19	
Output Power Cable Quantity	2			3	
Software	Liebert Multilink, Support for Windows NT / 200 / XP / Vista, Linux				
Operation					
Capacity (VA / W)	750 / 675	1000 / 900	1500 / 1350	2200 / 1980	3000 / 2700
Nominal Input Voltage	220 / 230 / 240VAC = 10% (configurable)				
Input Voltage Window	165 to 300 VAC				
Input Frequency Window	45 to 65Hz ± 0.5 Hz				
Input Protection Type	Resettable Circuit Breaker				
Default Frequency	50Hz				
Boost Mode Voltage	Input Voltage x 117%				
Buck Mode Voltage	Input Voltage / 115%				
Transfer Time (AC to DC)	4 to 6 ms Typical				
Efficiency	> 96% on Line Mode				
Surge Protection	220J				
Output (battery mode)					
Voltage	220 / 230 / 240 Vac (configurable)				
Voltage Regulation	± 5%				
Wave Form	Pure Sinewave				
Battery Type	Sealed, Non-spillage, Maintenance-free, Lead Acid with 5-year Typical Lifetime				
Quantity x Voltage x Ah	2 x 12 x 7.2	3 x 12 x 7.2	3 x 12 x 9	6 x 12 x 7.2	6 x 12 x 9
Typical Recharge Time	5hr to 90% of rated capacity, after full discharge into resistive load				
Hot Swappable Battery	Yes				
Electrical Fast Transient	IEC / EN / AS 62040-2 2 nd Ed Class A				
Agency Approvals					
Safety	IEC / EN / AS 62040-1-1				
Transportation	ISTA Procedure 1A Certification				
WVVEE and ROHS	Yes				
Operation Condition	0 to 40 °C				
Noise Level	< 45dBA on Line Mode				
Accessories					
SNMP / WEB Management Card	IS-WEBRT3				
Maintenance Bypass Switch	MP2-210K			MP2-220L	

Runtime (in minutes)

Load (%)	750VA	1000VA	1500VA	2200VA	3000VA
10	84	93	76	82	76
20	45	47	32	44	32
30	25	26	17	19	17
40	15	15	12	14	12
50	11	12	9	11	9
60	9	9	7	9	7
70	7	7	5	7	5
80	5	6	4	5	4
90	4	5	3	4	3
100	4	4	3	3	3

Emerson Network Power Asia

Australia
T: 1800-065345
F: 61-2-97438737

Indonesia
T: 62-21-2513003
F: 62-21-2510622

Japan
T: 81-3-54038594
F: 81-3-54032924

Korea
T: 82-2-34831500
F: 82-2-5927883

Malaysia
T: 603-78845000
F: 603-78845188

New Zealand
T: 64-3-3392060
F: 64-3-3392063

Pakistan
T: 92-42-36622526 to 28
F: 92-42-36622530

Philippines
T: 63-2-6876615
F: 63-2-6203693

Singapore
T: 65-64672211
F: 65-64670130

Thailand
T: 66-2-6178260
F: 66-2-6178277 to 78

Vietnam
T: 84-4-37628908
F: 84-4-37628909

Emerson Network Power.
The global leader in enabling
Business-Critical Continuity™.

- AC Power
- Connectivity
- DC Power
- Embedded Computing
- Embedded Power
- Infrastructure Management & Monitoring
- Outside Plant
- Power Switching & Controls
- Precision Cooling
- Racks & Integrated Cabinets
- Services
- Surge Protection

www.EmersonNetworkPower.com

Business-Critical Continuity™, Emerson Network Power and the Emerson Network Power logo are trademarks and service marks of Emerson Electric Co.
©2010 Emerson Electric Co.

AP09DPG-PSIV1-B